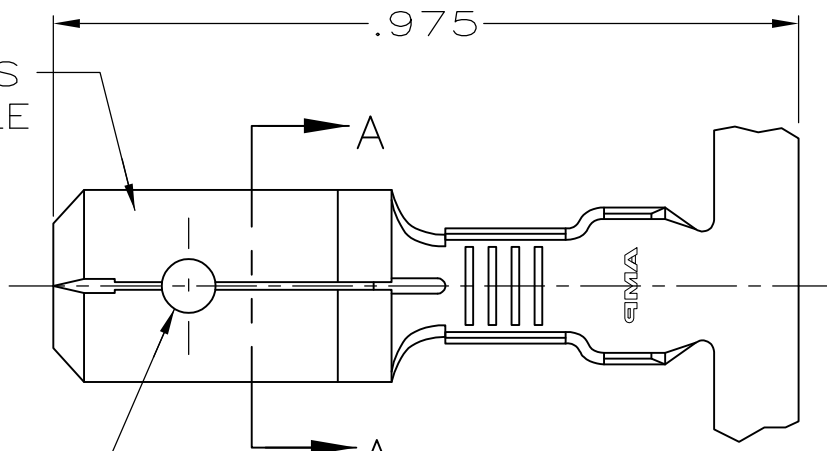


THIS DRAWING IS UNPUBLISHED. RELEASED FOR PUBLICATION  
 © COPYRIGHT - By - ALL RIGHTS RESERVED.

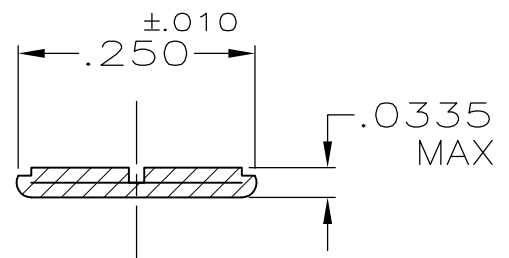
LOC	DIST	REVISIONS					
AF	50	P	LTR	DESCRIPTION	DATE	DWN	APVD
			J	REVISED PER ECR-13-011489	06DEC2013	KH	PD

FITS .250 SERIES FASTON RECEPTACLE

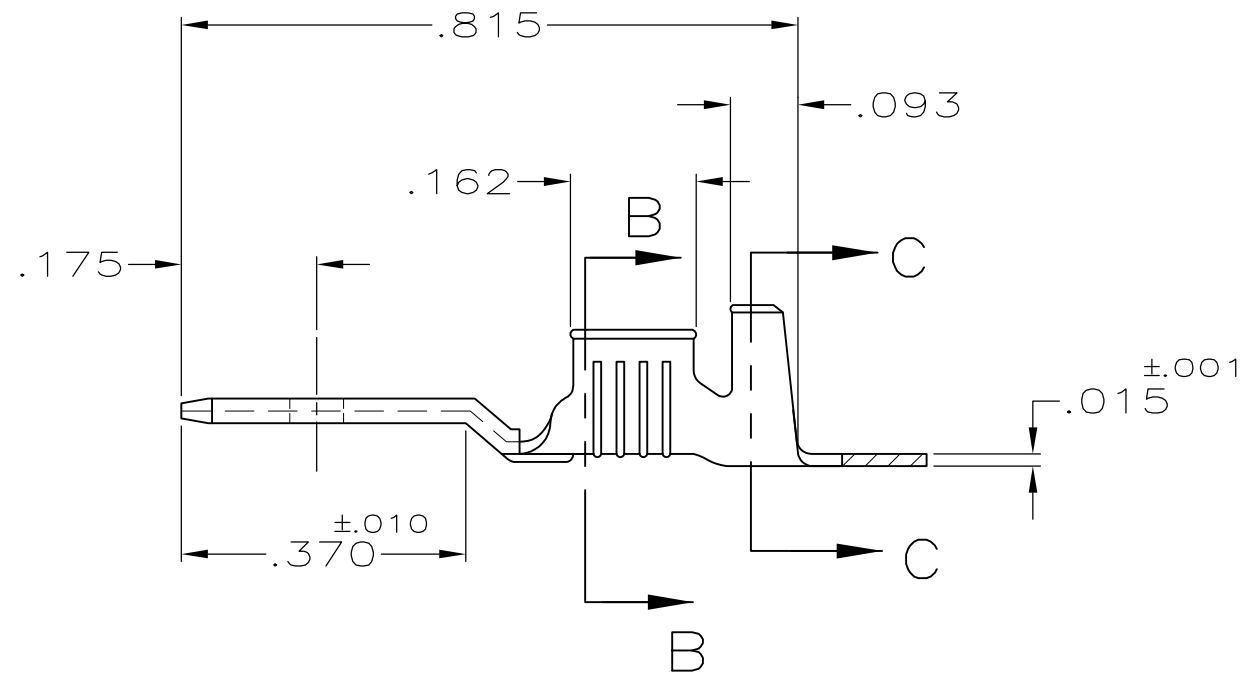


.075  
.060 DIA HOLE

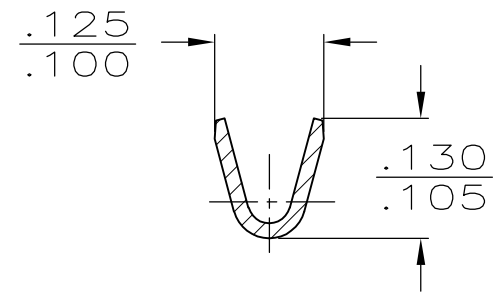
SECTION A-A  
SCALE 5:1



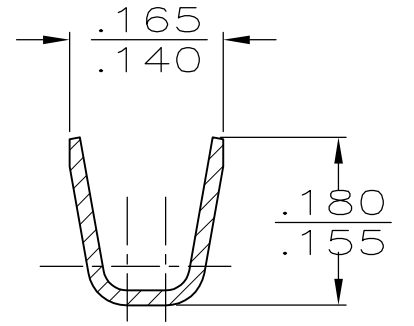
- 1 CONTINUOUS STRIP ON REELS.
- 2 FEED TO BE .540±.005.
- 3 REVERSED REEL OF 42475-1.
- 4 REVERSED REEL OF 42475-2.
- 5 FOREIGN PRODUCTION ONLY.



SECTION B-B  
SCALE 5:1



SECTION C-C  
SCALE 5:1



4	TIN	.080-.120 DIA	22-18 AWG	42475-4
3	-			42475-3
5	TIN			42475-2
5	-			42475-1
FINISH		INSULATION RANGE	WIRE SIZE	PART NO

THIS DRAWING IS A CONTROLLED DOCUMENT.		DWN	JR RUTH	1/31/91	TE Connectivity		
DIMENSIONS: INCHES		CHK	MS FEHER	1/31/91			
TOLERANCES UNLESS OTHERWISE SPECIFIED:		APVD	C MEYERS	1/31/91	NAME		
0 PLC ± - 1 PLC ± - 2 PLC ± - 3 PLC ± .015 4 PLC ± - ANGLES ± -		PRODUCT SPEC		TAB, FASTON, .250 SERIES			
MATERIAL: BRASS		FINISH: SEE TABLE		APPLICATION SPEC		RESTRICTED TO	
		WEIGHT: -		SIZE: A3	CAGE CODE: 00779	DRAWING NO: C-42475	
CUSTOMER DRAWING				SCALE: 4:1	SHEET: 1 OF 1	REV: J	